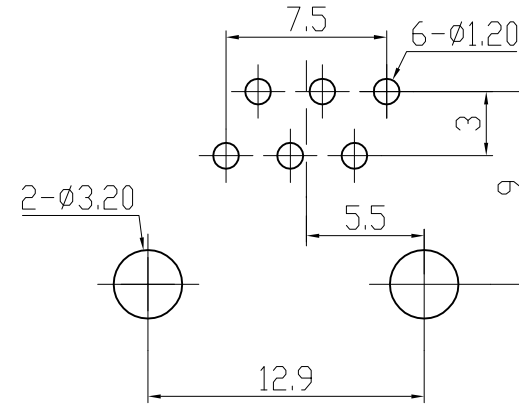
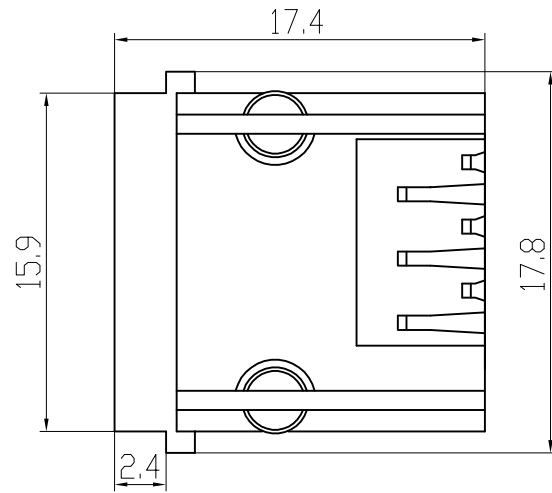
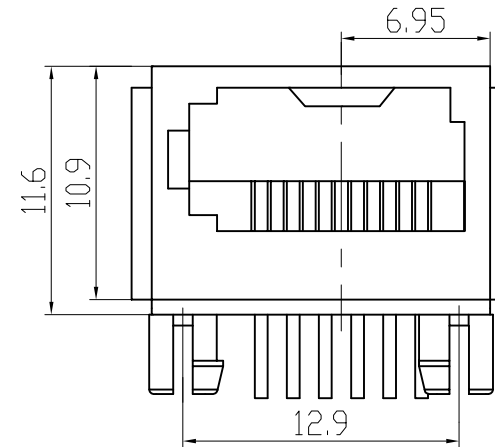
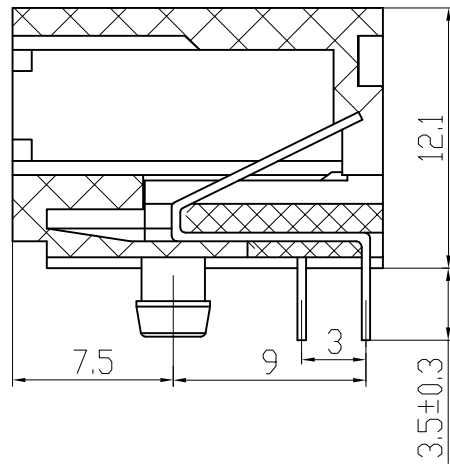


REVISION RECORD				
REV	ECO	DESCRIPTION	DRFT	CHKD



PC Board Layout



PCB JACK Specification

1. Insulation Resistance: 500M Ω MIN @ 500 VDC
2. Withstanding Voltage: AC1000V 50Hz or 60Hz 1min.
3. Durability: 600 Mating Circles MIN.
4. Gold Plating: (3;6;15;30;50)u inch
5. Tolerances Unless Otherwise Specified
 .0±0.25 .00±0.20 .000±0.10

DFTD: SHD CHKD: LANBO MFG: APPVL: MATERIAL : QTY : FINISH : SCALE :	DATE: 2007.05.03 DATE: 2007.05.03	Coorle 库乐科技 TITLE UK-6P6C-DJ		
	TOLERANCES EXCEPT AS NOTED ANGLES ± 0.5 THIRD ANGLE PROJECTION			DRAWING NO. E59A1011 /PART NO.
	DO NOT SCALE DRAWING	SHEET X OF Y	DD NOT SCALE DRAWING	